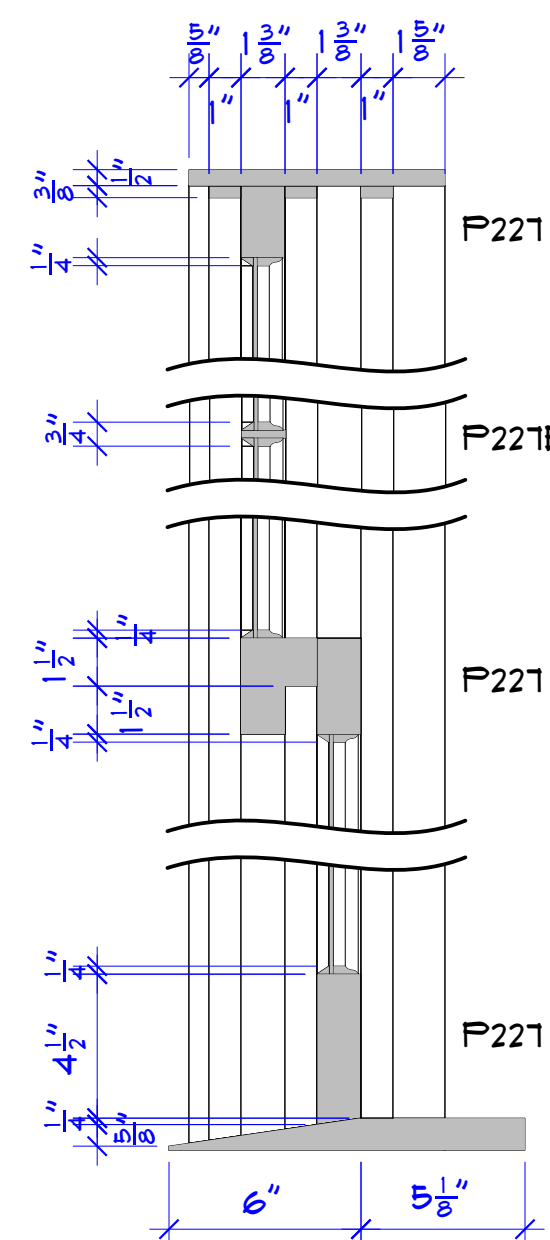
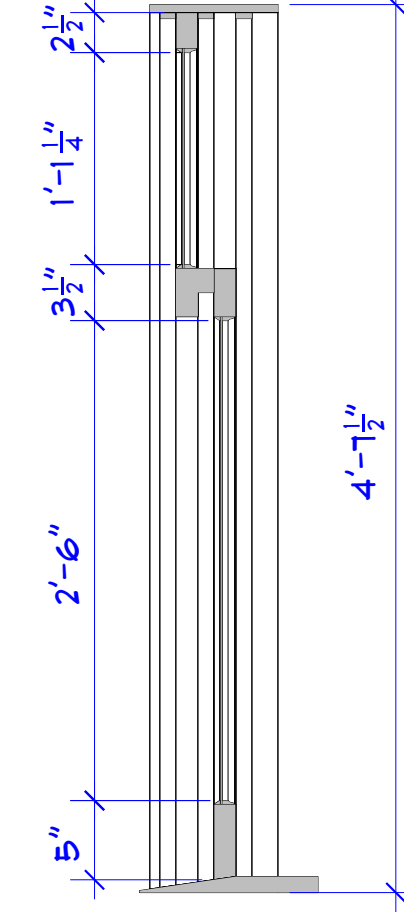
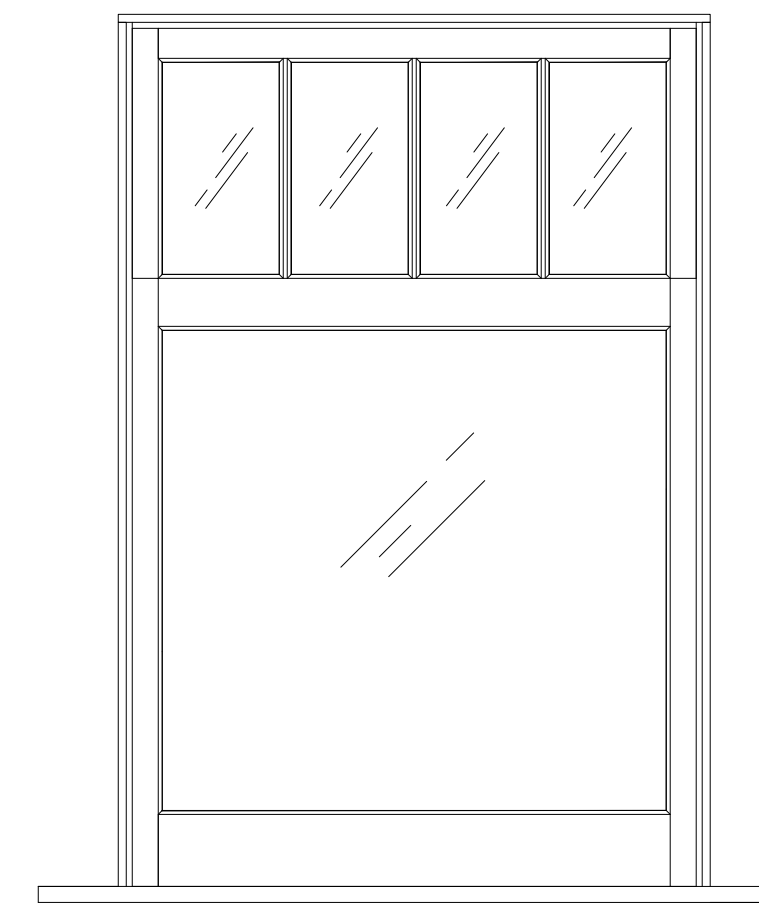
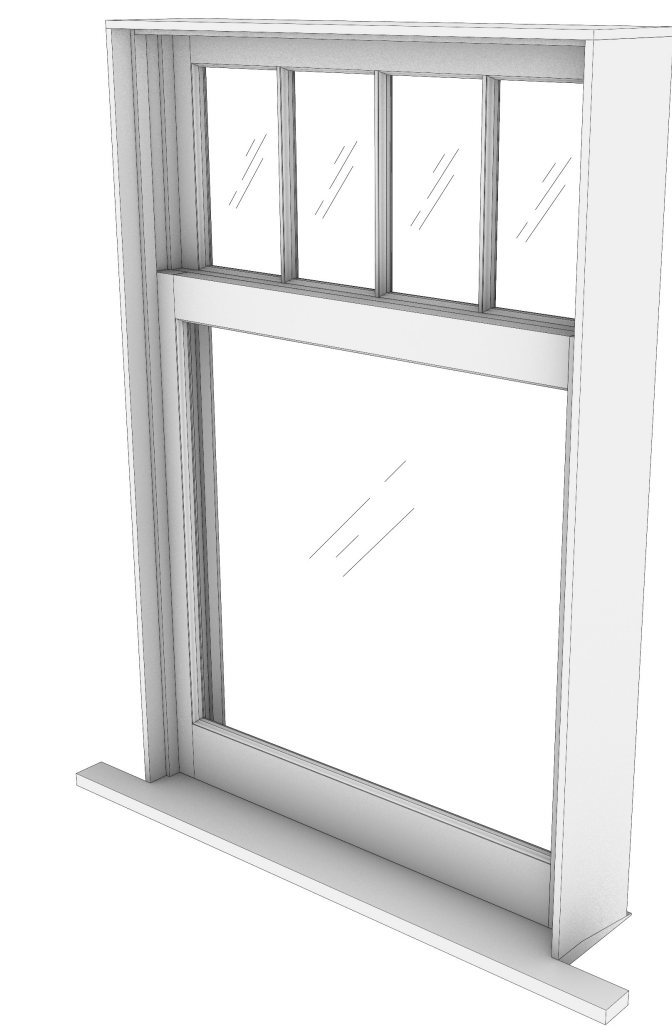


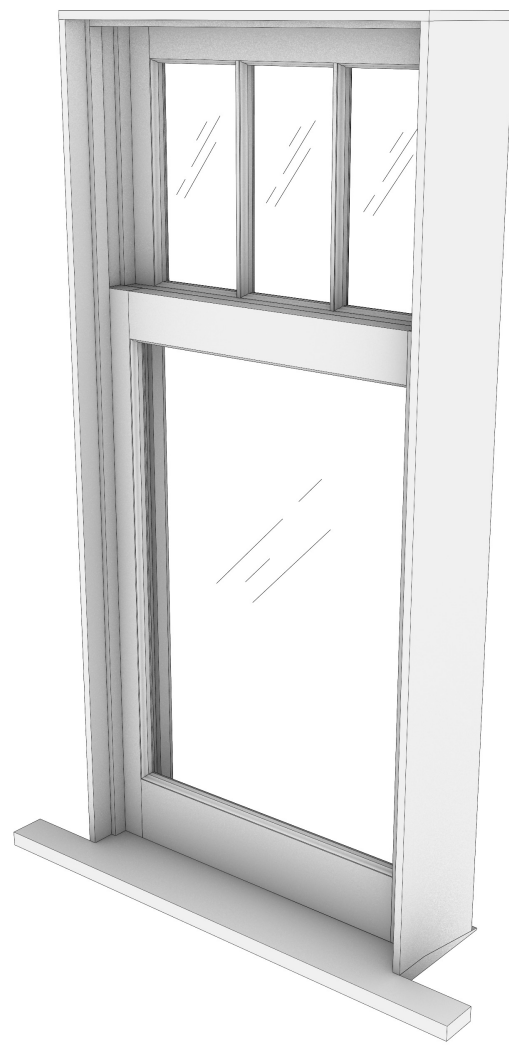
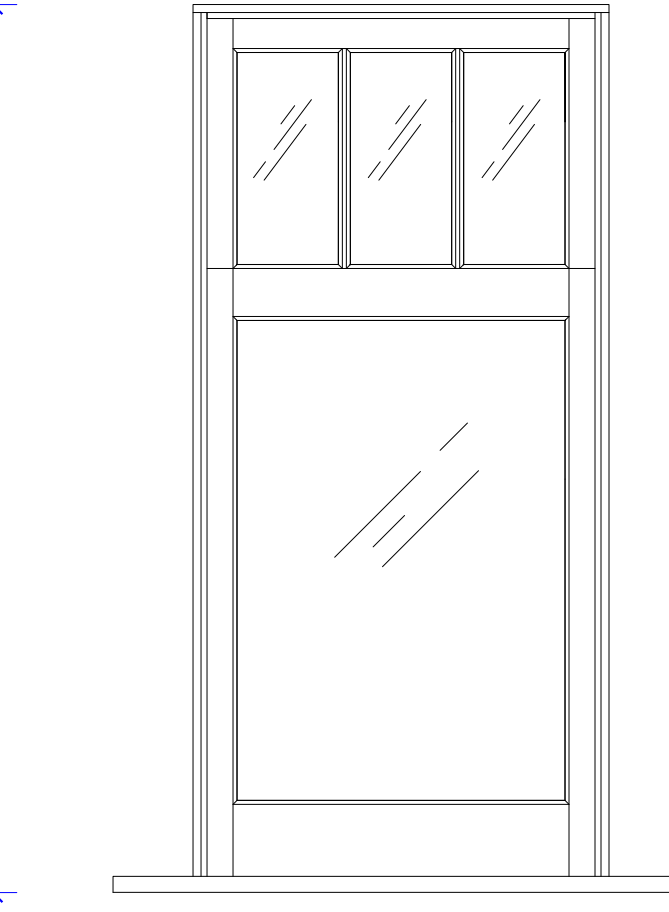
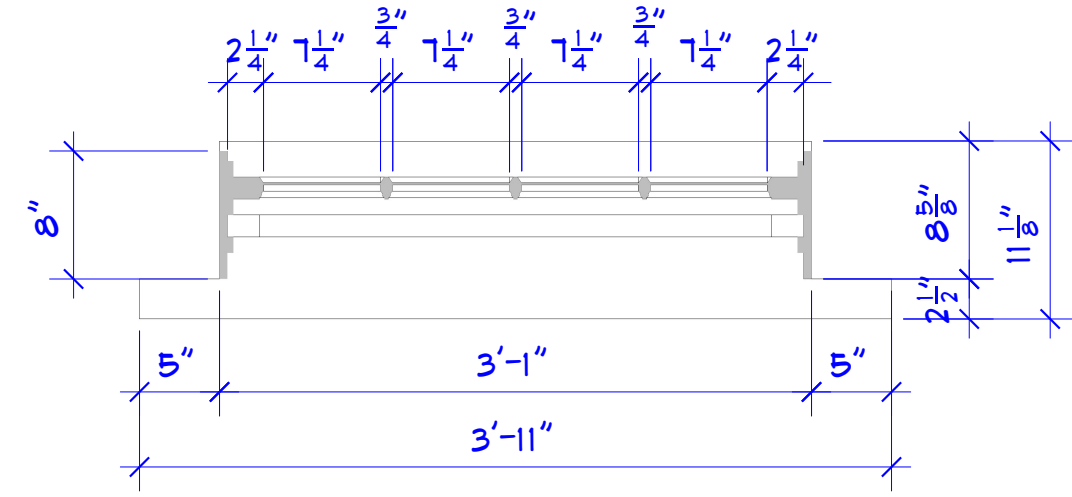
**W1** WINDOW #1: 8 PANES OVER 1  
FULL SCALE



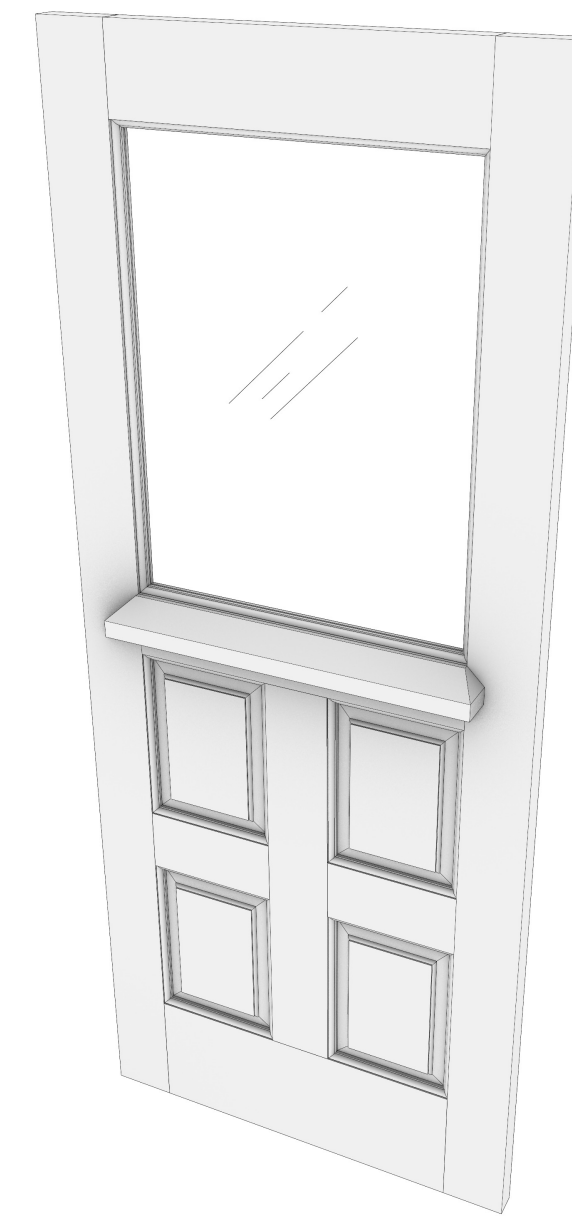
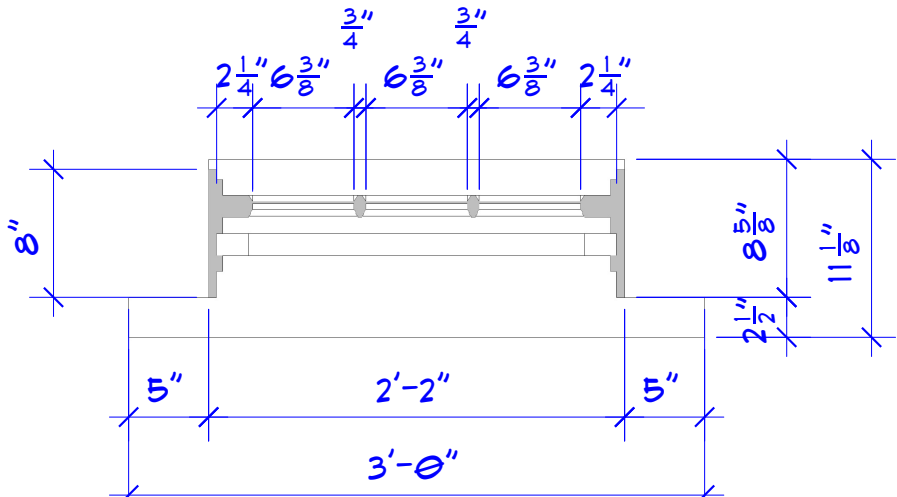
**WA** SECTION DETAILS, ALL WINDOWS  
DOUBLE SCALE: 2" = 1"



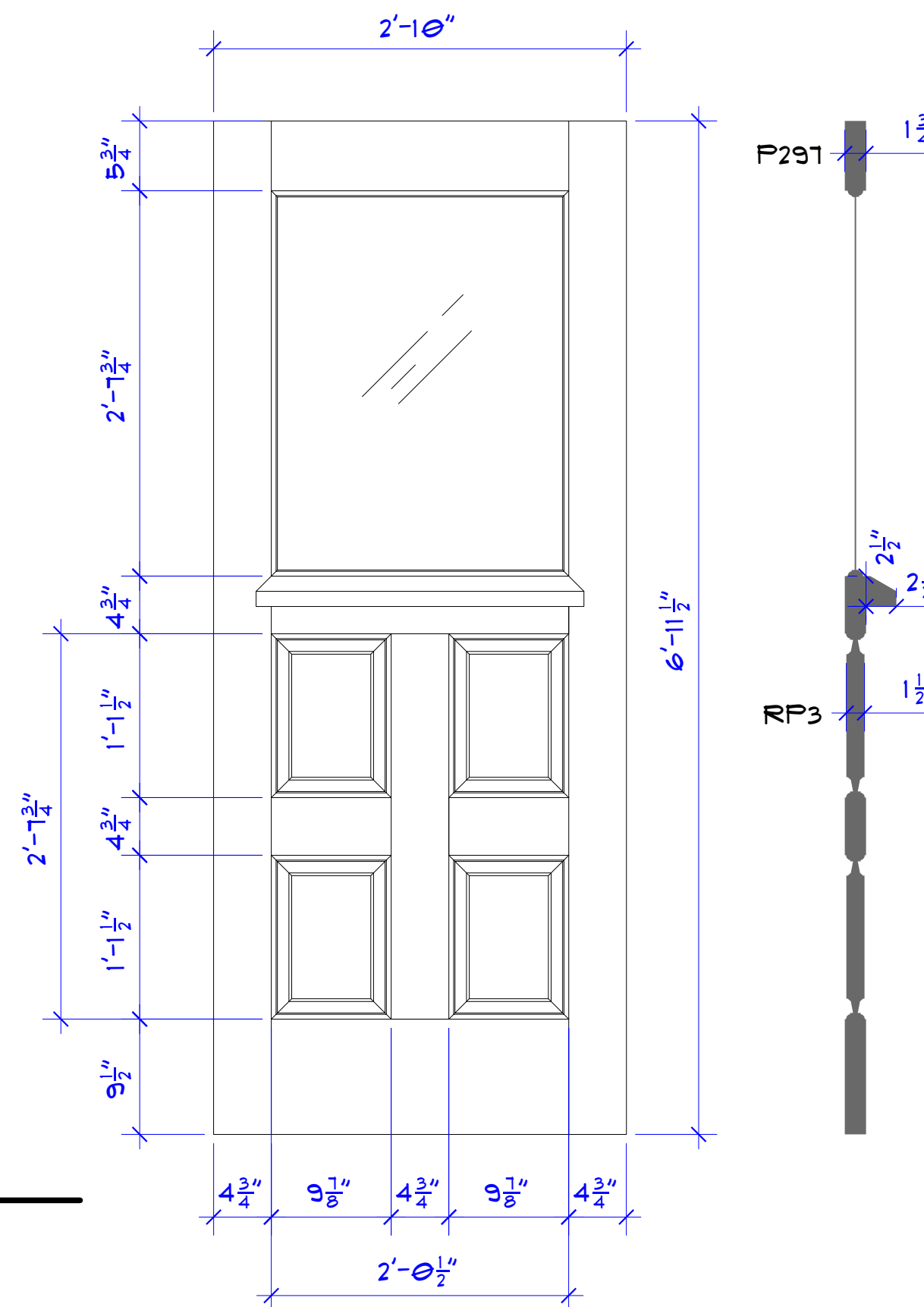
**W2** WINDOW #2: 4 PANES OVER 1  
FULL SCALE



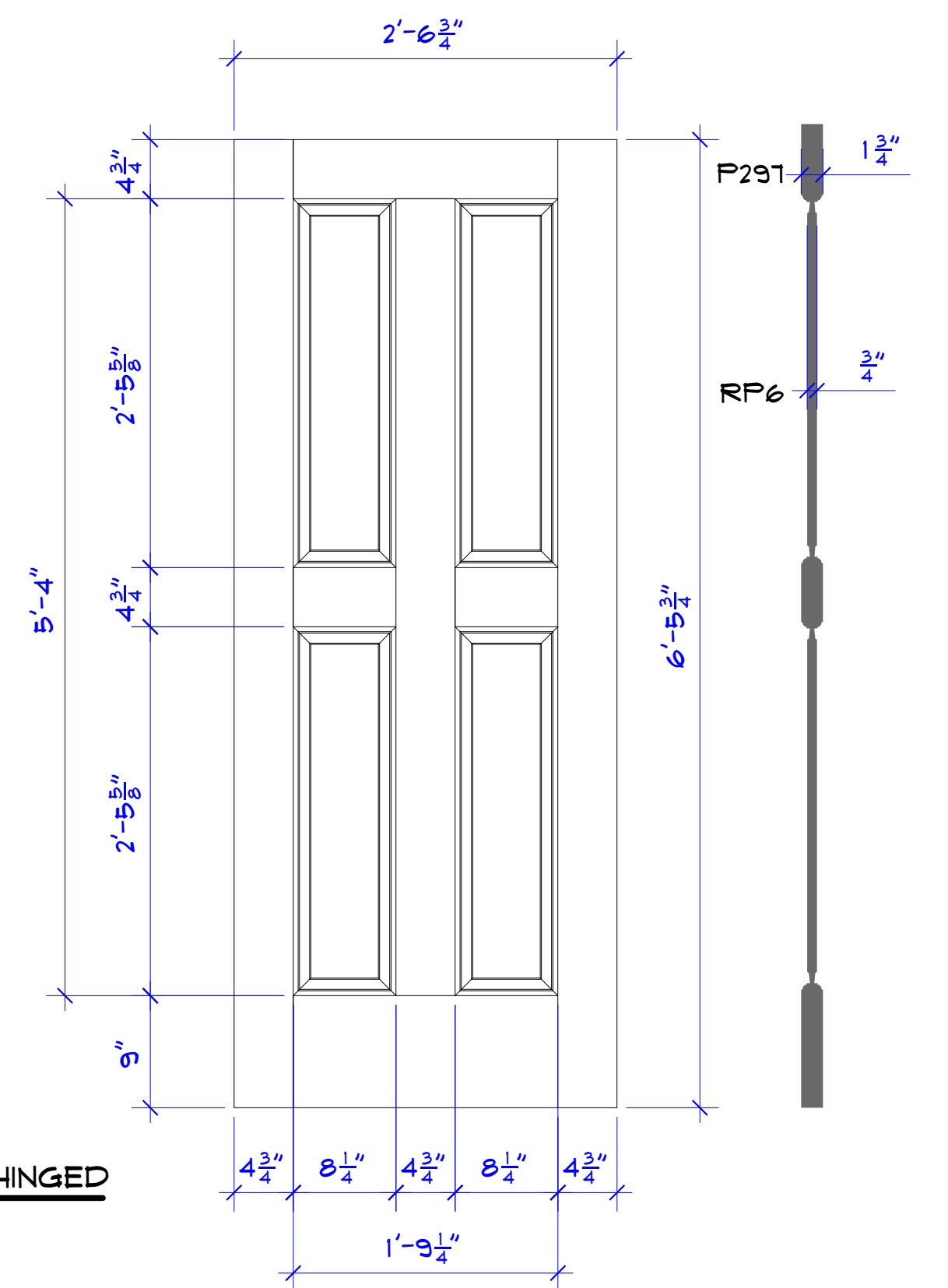
**W3** WINDOW #3: 3 PANES OVER 1  
FULL SCALE



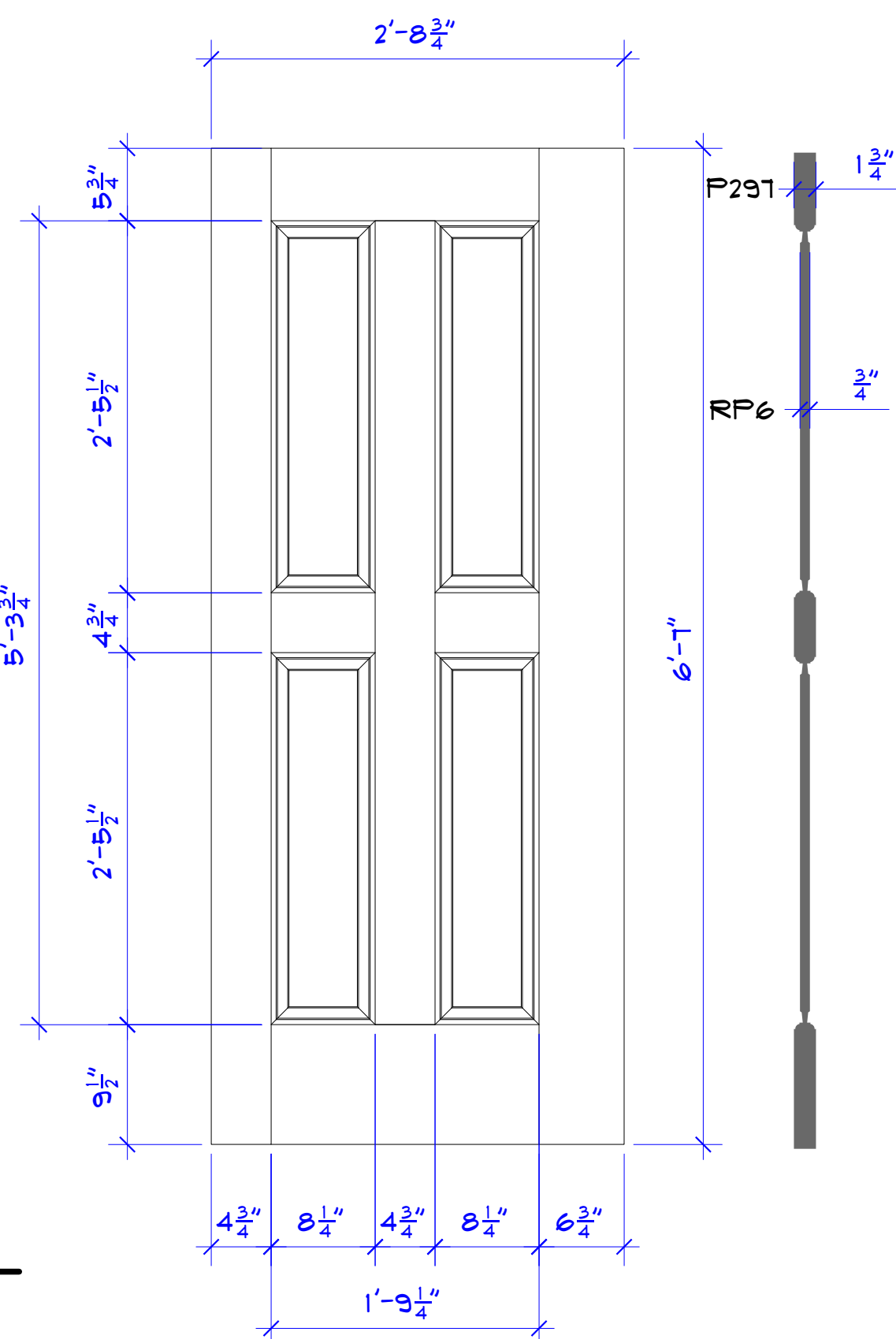
**D1** DOOR #1: EXTERIOR  
FULL SCALE



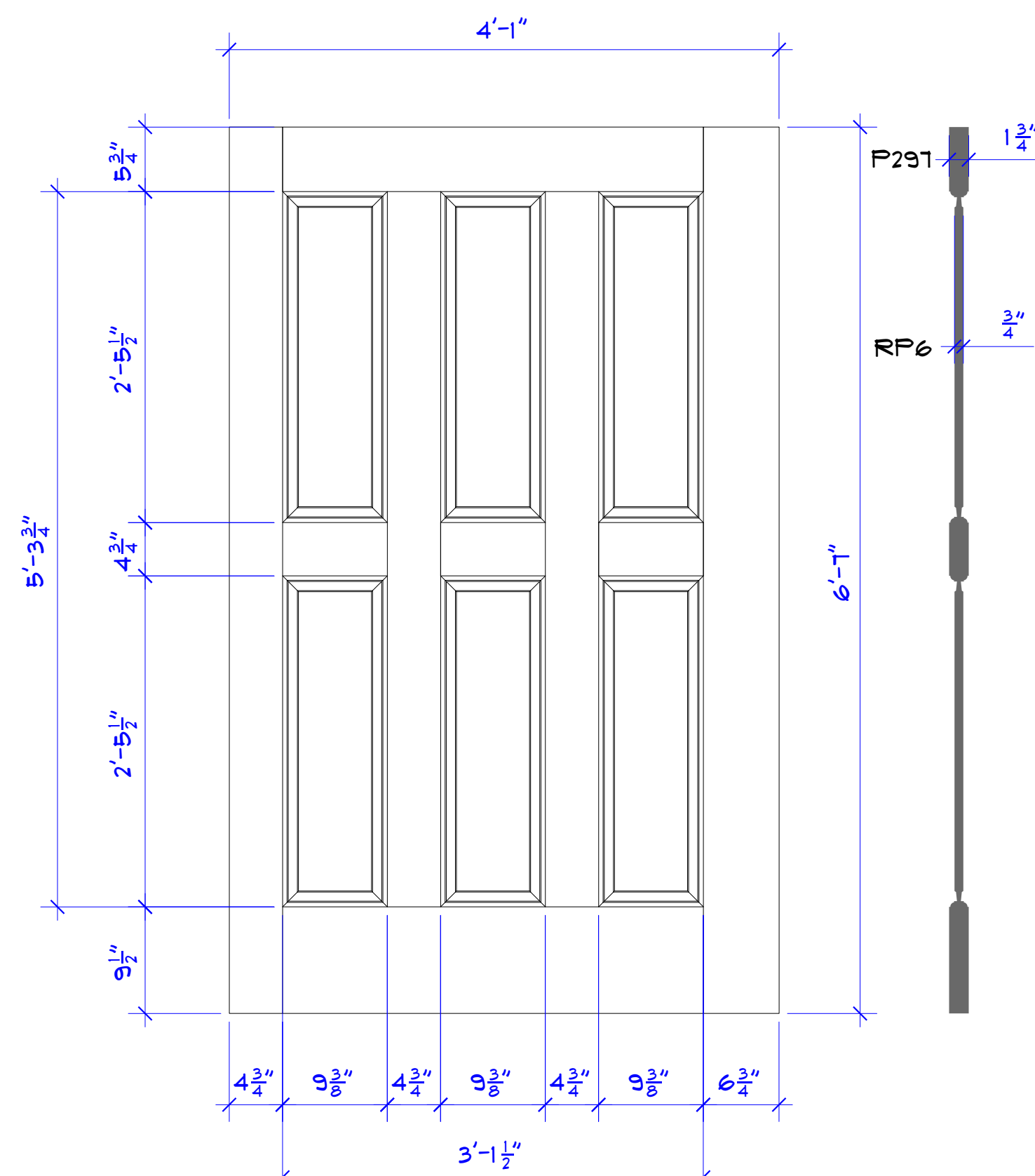
**D2** DOOR #2: INTERIOR HINGED  
FULL SCALE



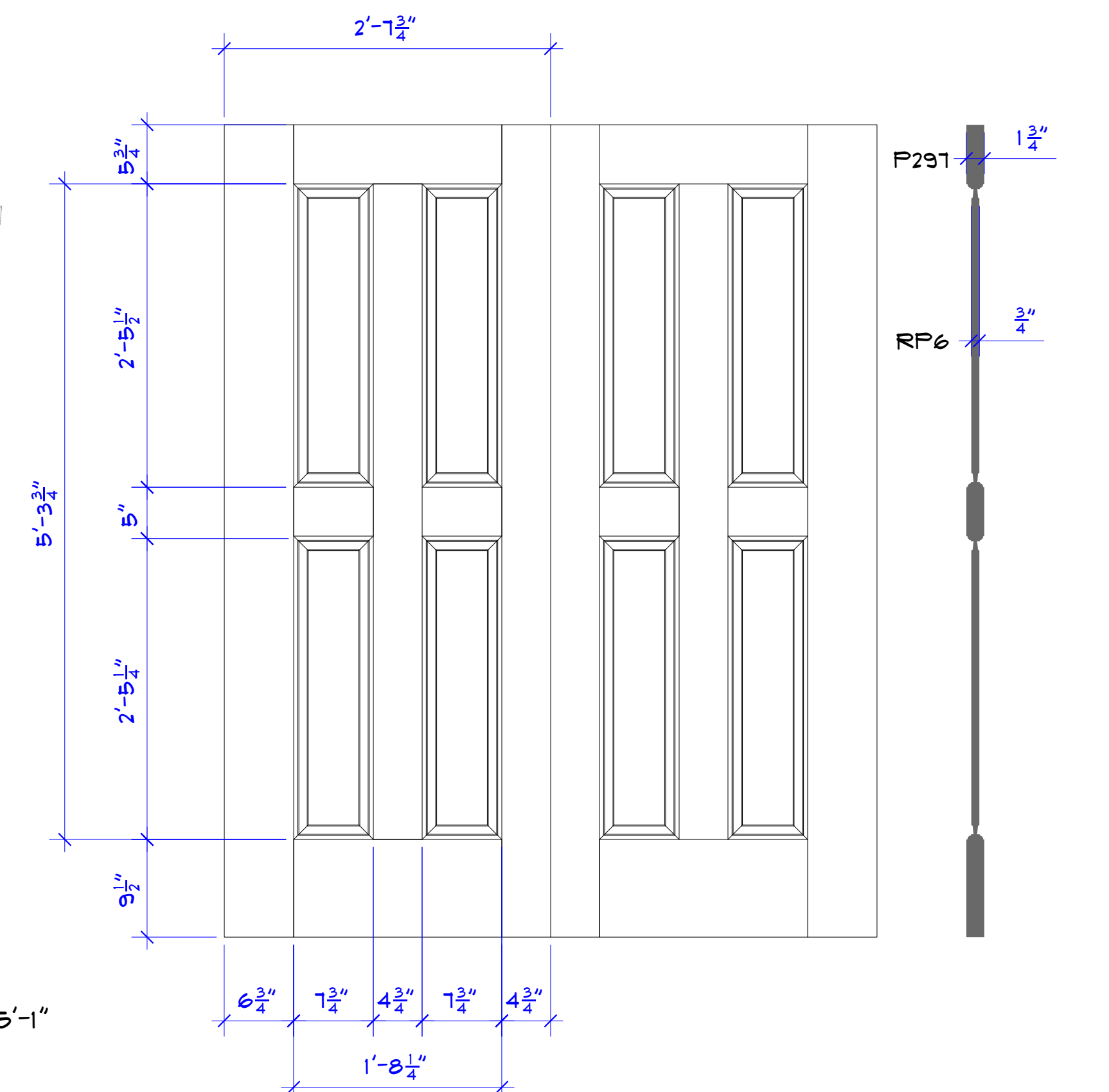
**D3** DOOR #3: POCKET, 2'6"  
FULL SCALE



**D4** DOOR #4: POCKET, 4'  
FULL SCALE



**D5** DOOR #5: DOUBLE POCKET, 5'-1"  
FULL SCALE



	NAME	COUNT				ROUGH OPENING	GLASS SIZES
		SET 1	SET 2	SET 3	TOTAL		
W1	8/1 WINDOW	5	6	3	14	3'-1" x 4'-1 1/2"	8 @ 1 3/4" x 10 1/2" 1 @ 2'-8" x 1'-10"
W2	4/1 WINDOW	1	1		2	3'-1" x 4'-1 1/2"	4 @ 1 3/4" x 1'-1 3/4" 1 @ 2'-8" x 2'-6 1/2"
W3	3/1 WINDOW	2	2		4	2'-2" x 4'-1 1/2"	3 @ 6 7/8" x 1'-1 3/4" 1 @ 1'-9" x 2'-6 1/2"
D1	EXTERIOR DOOR	2	2	2	5	2'-11" x 7'-0 1/2"	1 @ 2'-0 1/2" x 2'-7 3/4"
D2	INTERIOR DOOR	6	5	3	14	2'-8" x 6'-6 1/2"	
D3	POCKET DOOR, 2'6"	1	1	1	3	2'-8" x 6'-6 1/2"	
D4	POCKET DOOR, 4'	1			1	4' x 6'-6 1/2"	
D5	DOUBLE POCKET DOOR, 5'1"	1			1	5'-1" x 6'-6 1/2"	

# DOOR AND WINDOW DETAILS

**BLOSSOM  
MERZ**

SET NAME RAILCAR FLAT  
DRAWING DOOR AND WINDOW DETAILS  
LOCATION

REVISION PRELIMINARY  
DATE 9/6/2024

SHEET  
04