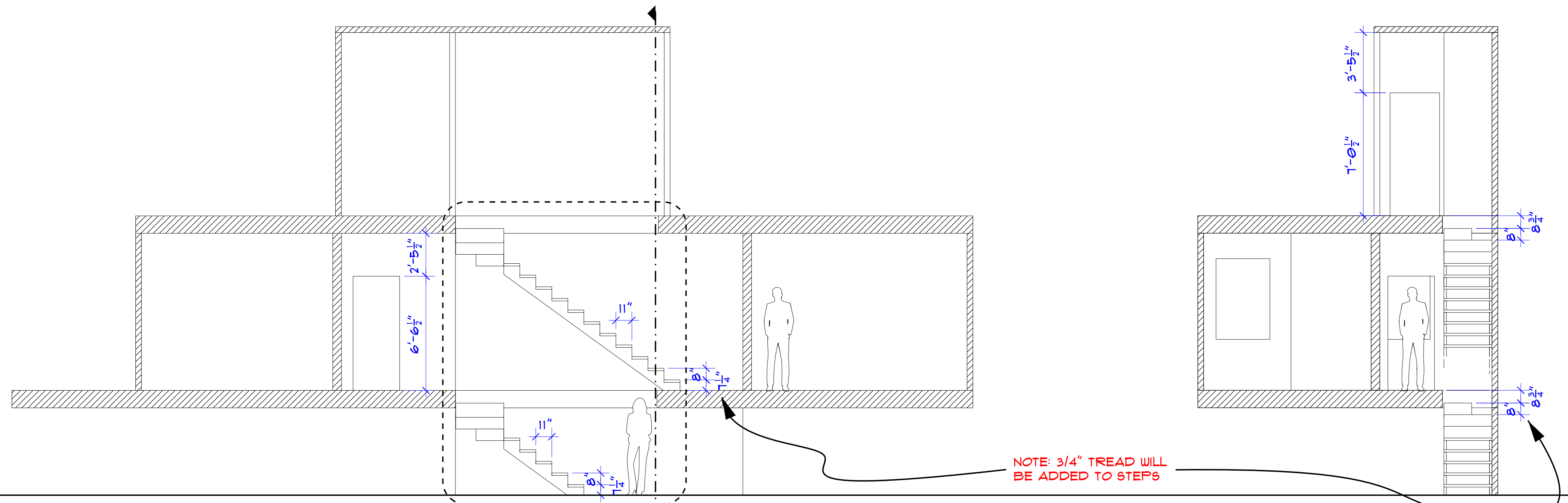


2A FLOOR 2 ELEVATION
SCALE 1/4" = 1'

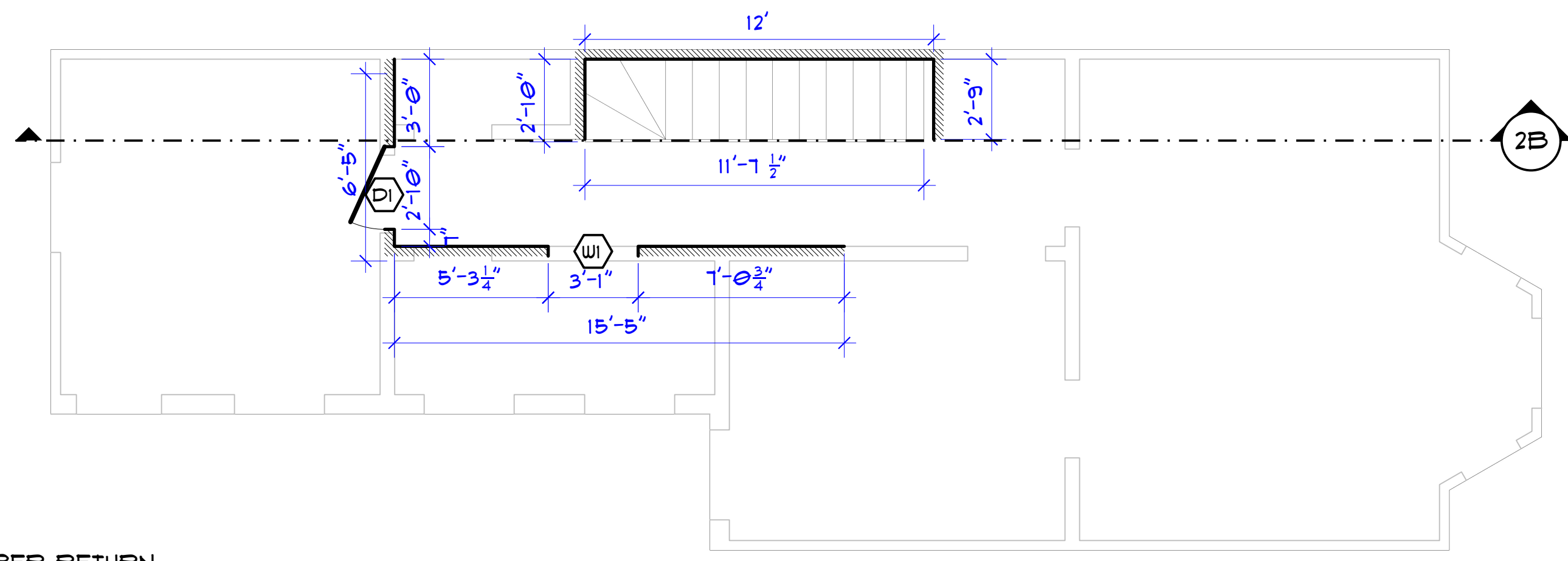


2B FLOOR 2 SECTION
SCALE 1/4" = 1'

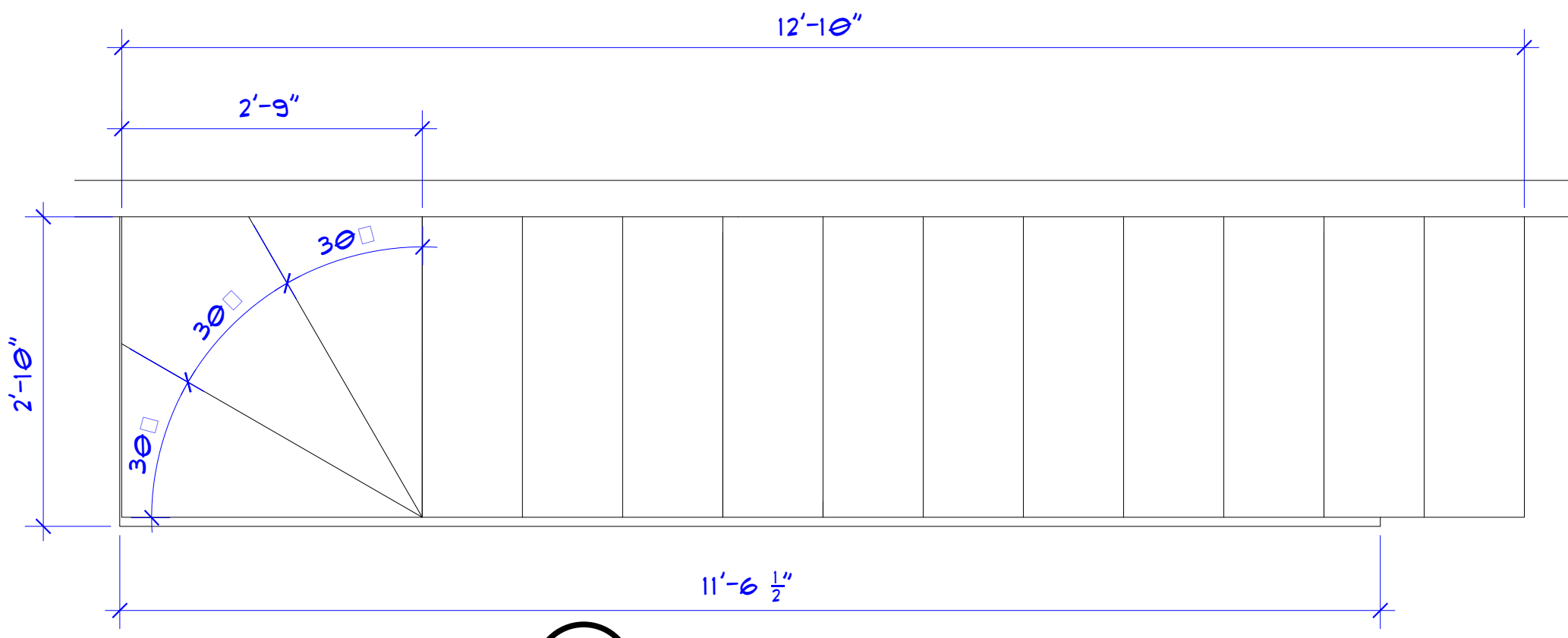
2E STAIR DETAIL

2C

2C FLOOR 2 FRONT SECTION
SCALE 1/4" = 1'

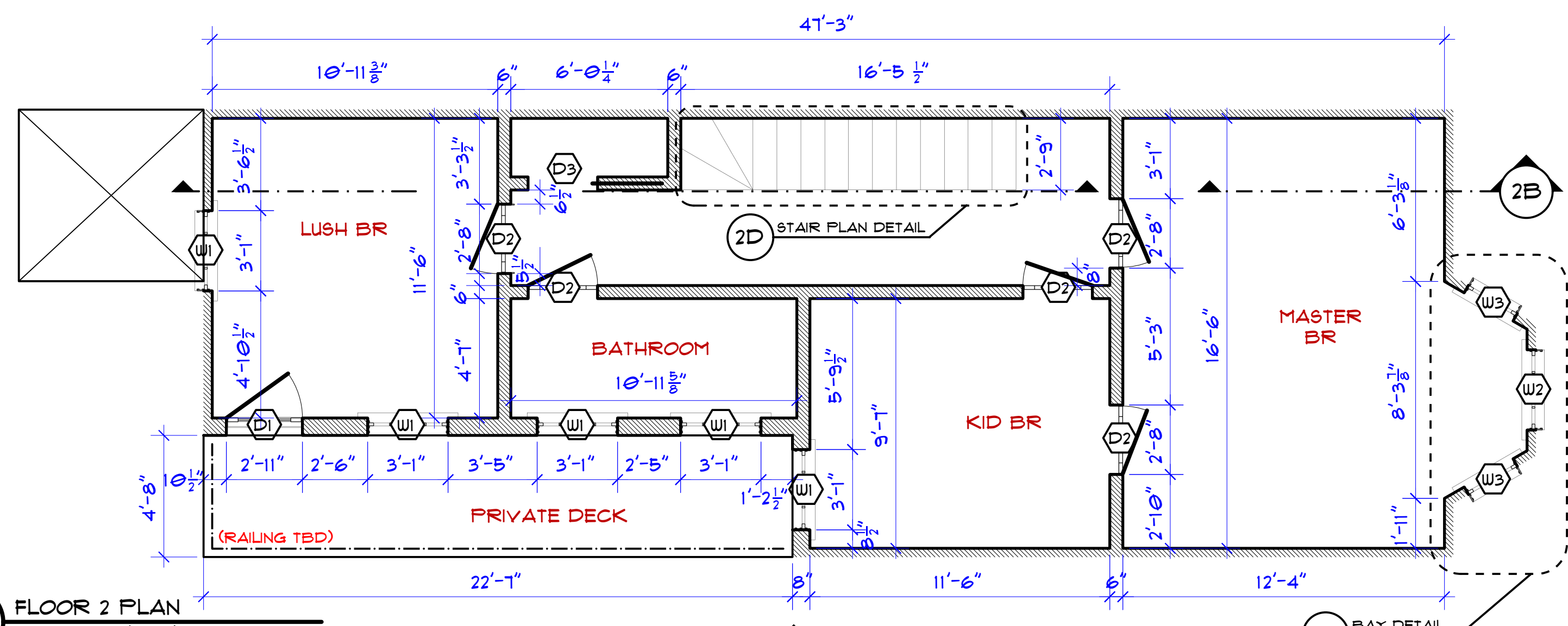


F2U FLOOR 2 UPPER RETURN
SCALE 1/4" = 1'

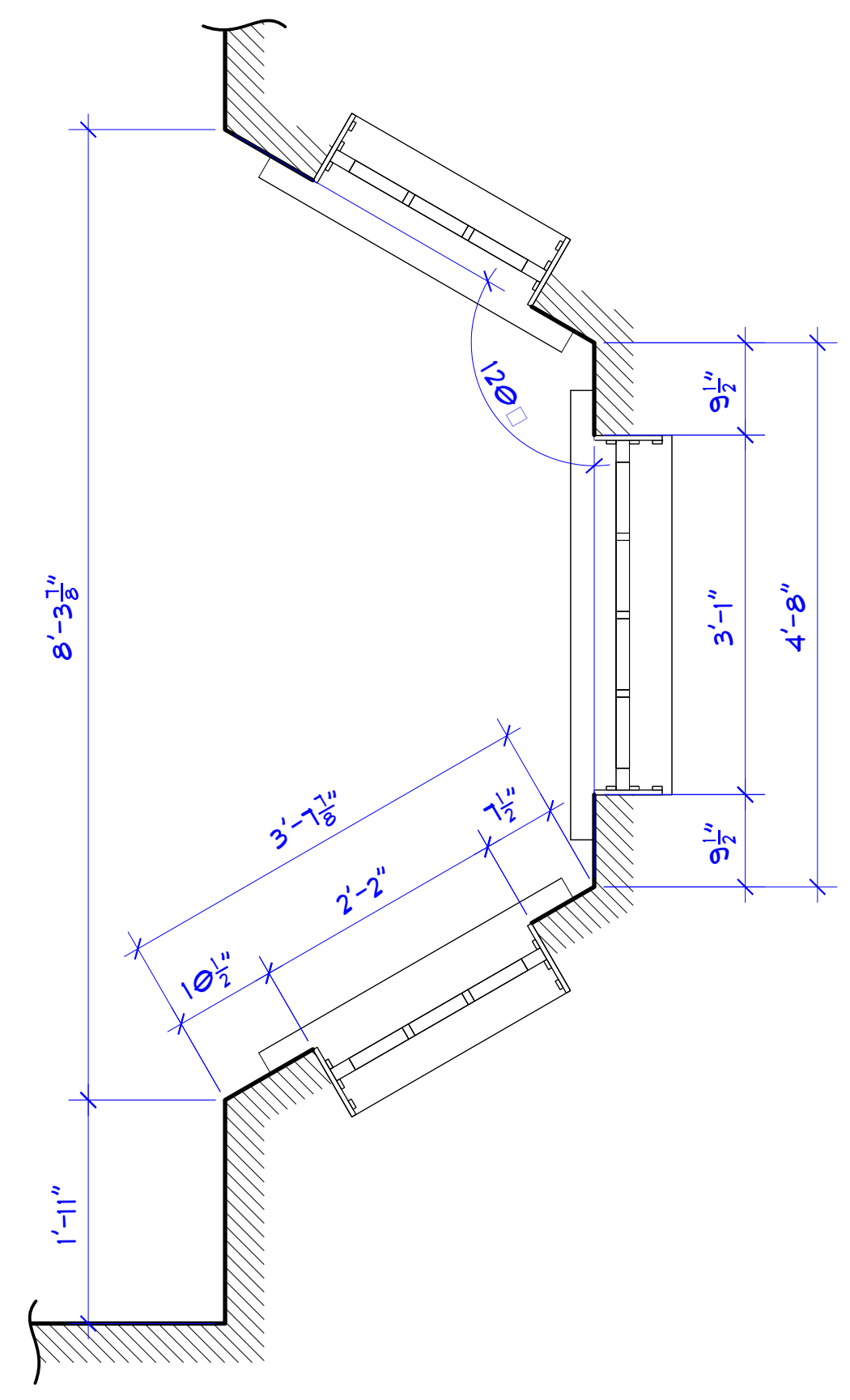


2D FLOOR 2 STAIR PLAN DETAIL
SCALE 3/4" = 1'

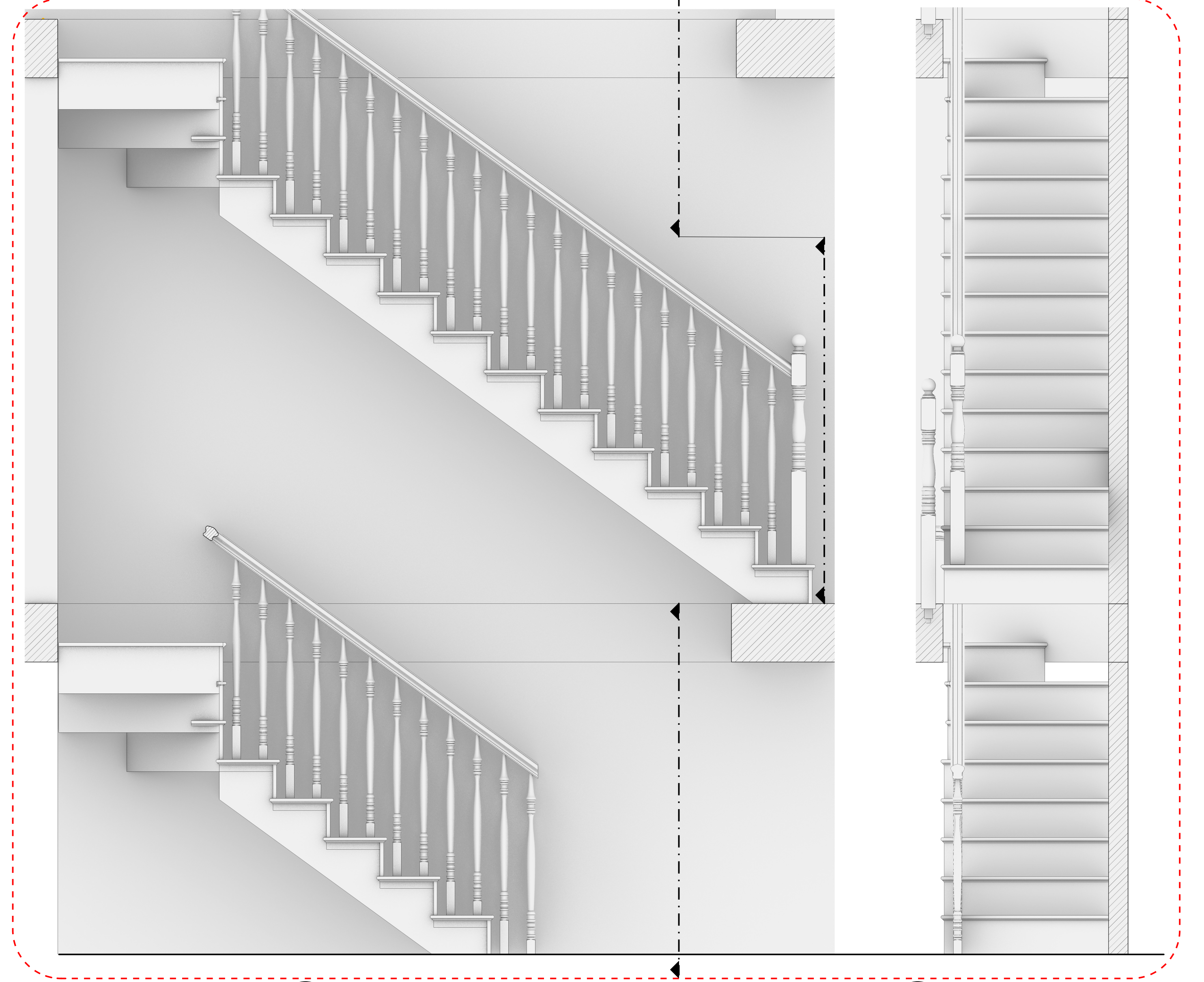
EARLY DRAFT. DETAILS TO FOLLOW



F2 FLOOR 2 PLAN
SCALE 1/4" = 1'

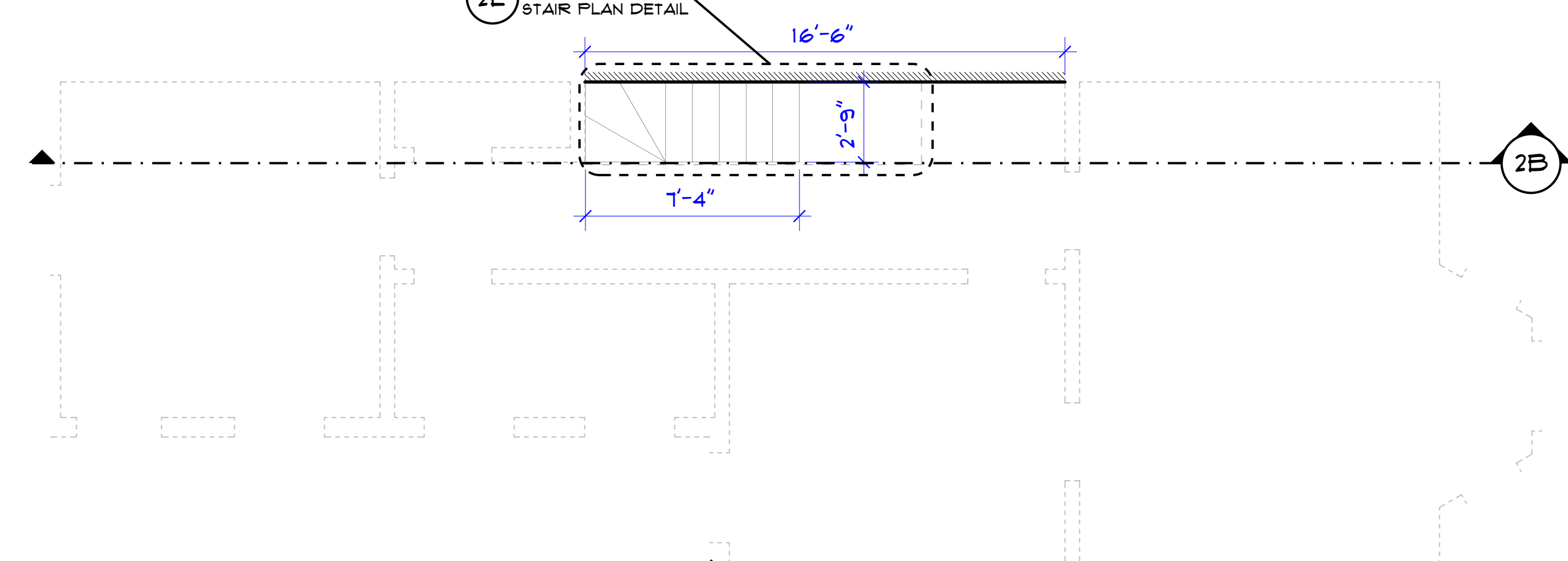


2G FLOOR 2 BAY DETAIL
SCALE 3/4" = 1'



2E FLOOR 2 STAIR SECTION DETAIL
SCALE 3/4" = 1'

2F FLOOR 2 STAIR FRONT SECTION
SCALE 3/4" = 1'



F2L FLOOR 2 LOWER RETURN
SCALE 1/4" = 1'

FLOOR 2



SET NAME	RAILCAR FLAT
DRAWING	WALL CONSTRUCTION, FLOOR 2
LOCATION	

REVISION	PRELIMINARY
DATE	8/30/2024

SHEET	02
-------	----