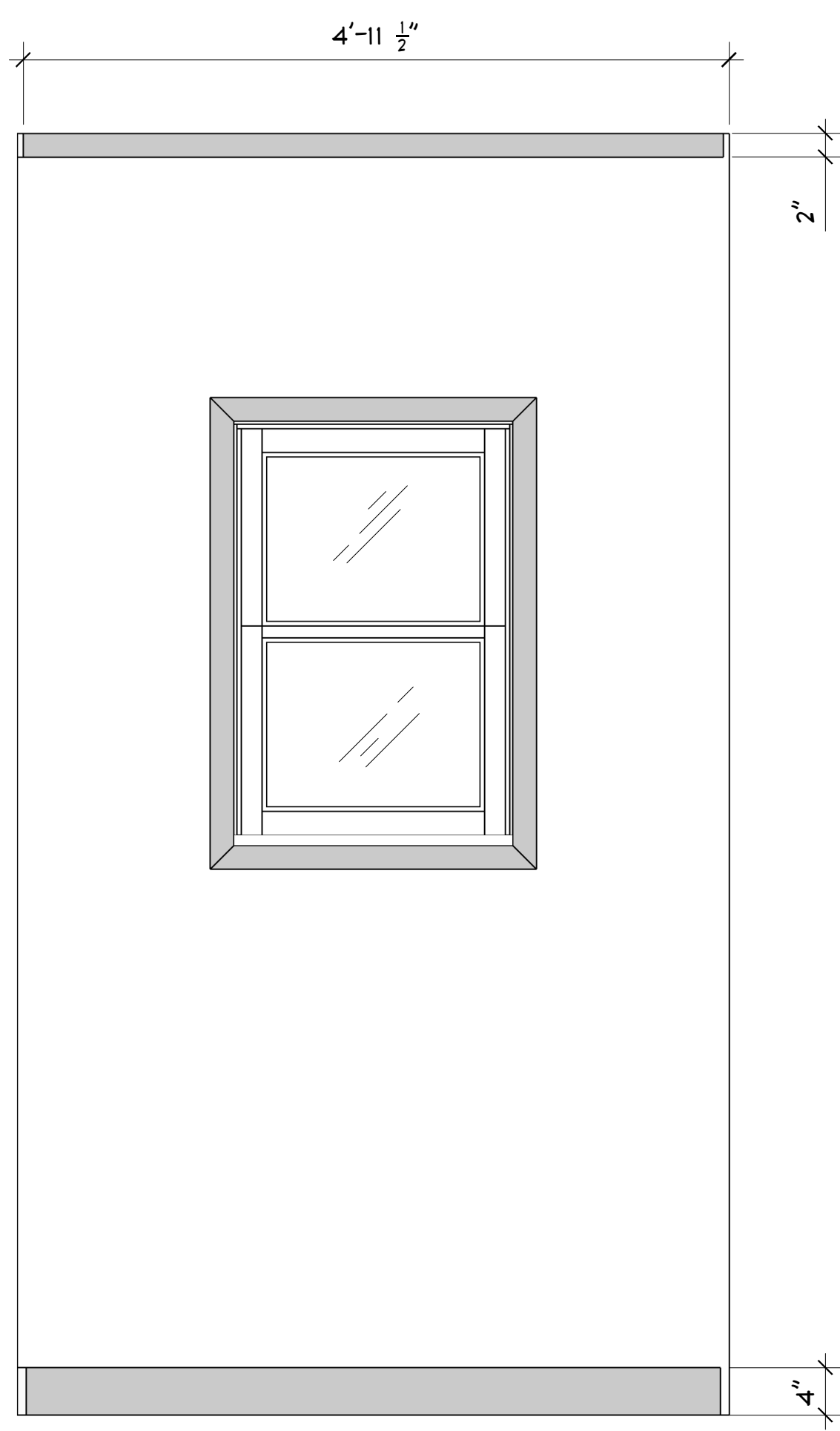
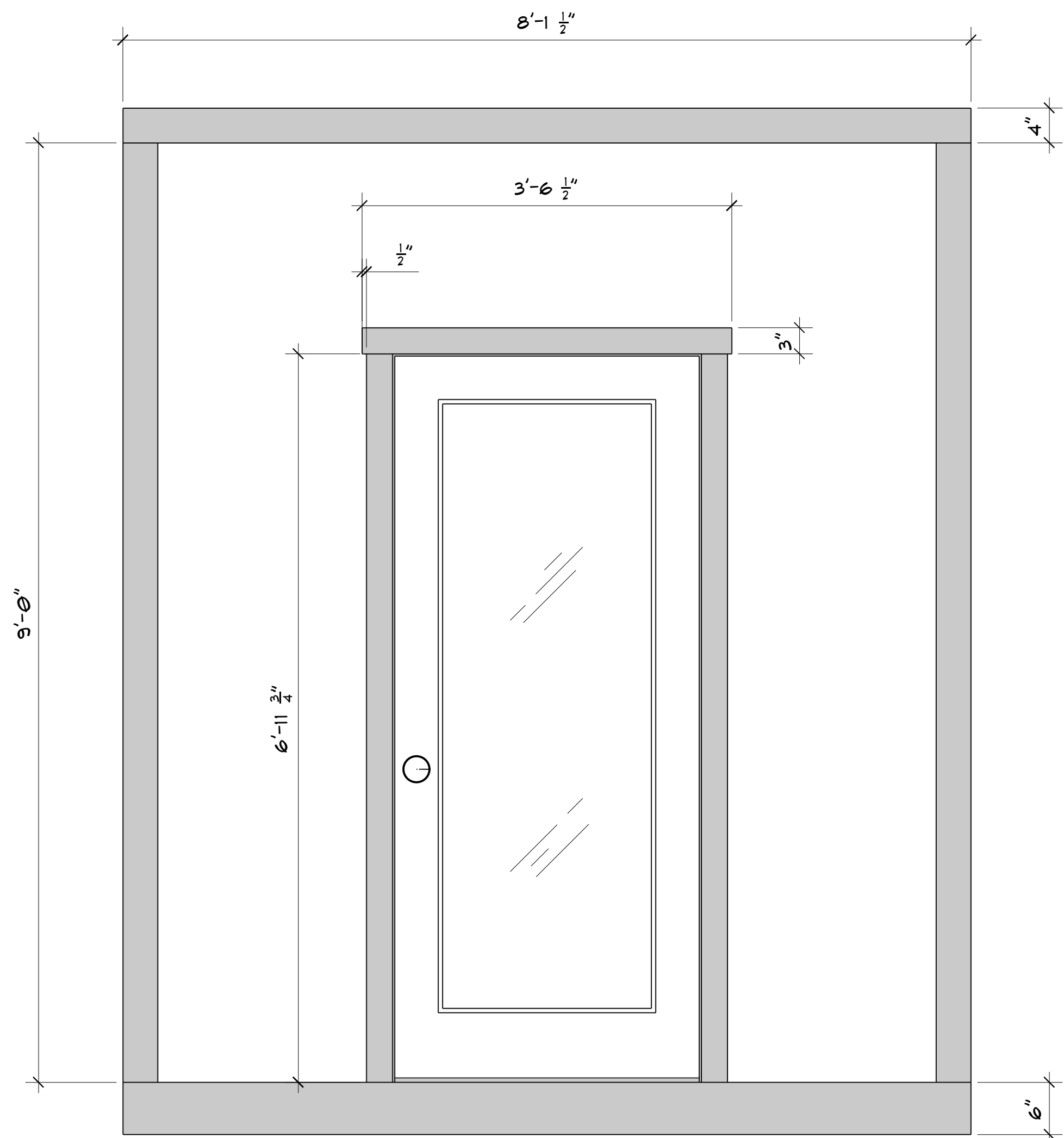


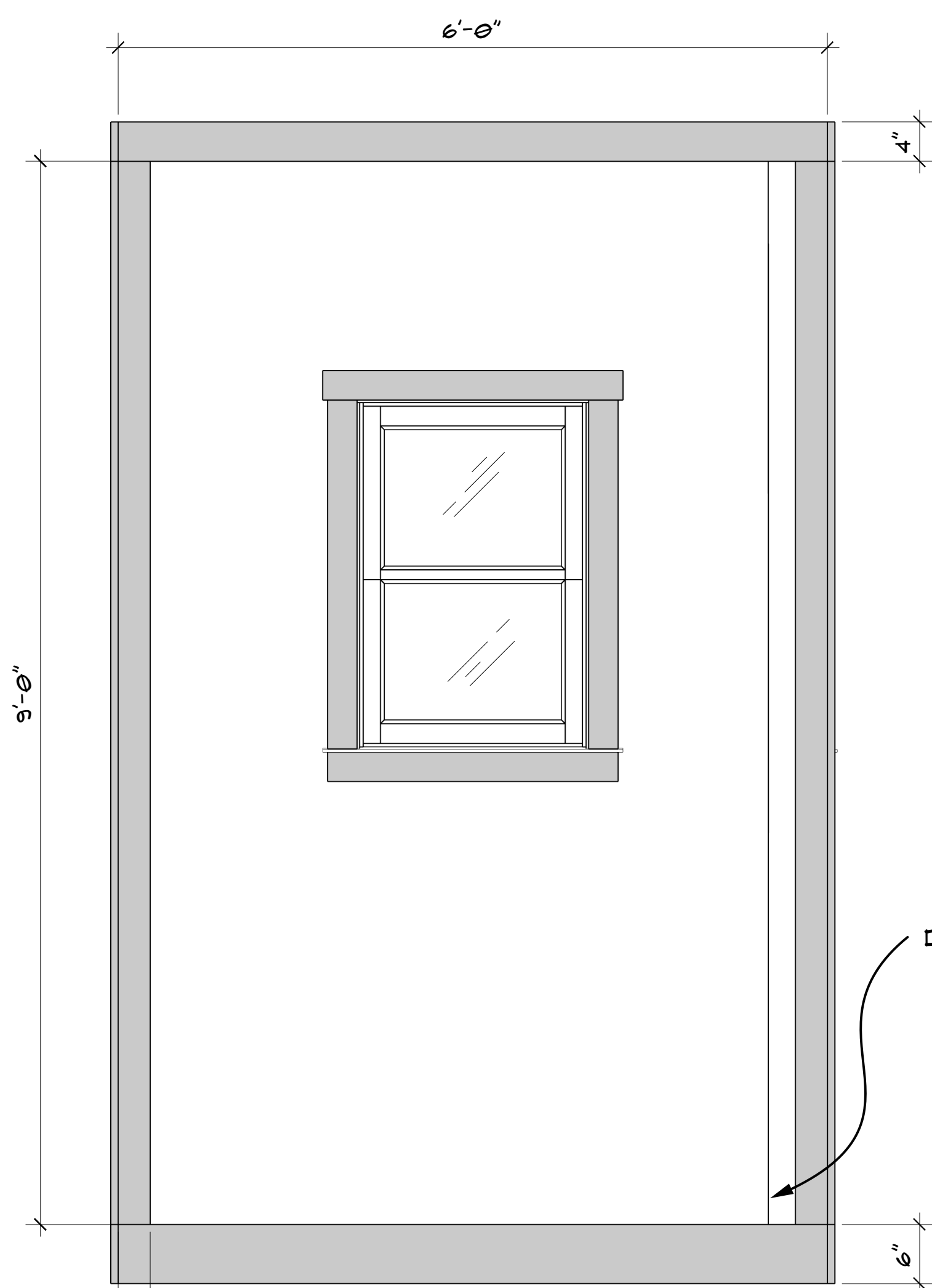
J INTERIOR ELEVATION
SCALE 1"=1'



K INTERIOR ELEVATION
SCALE 1"=1'

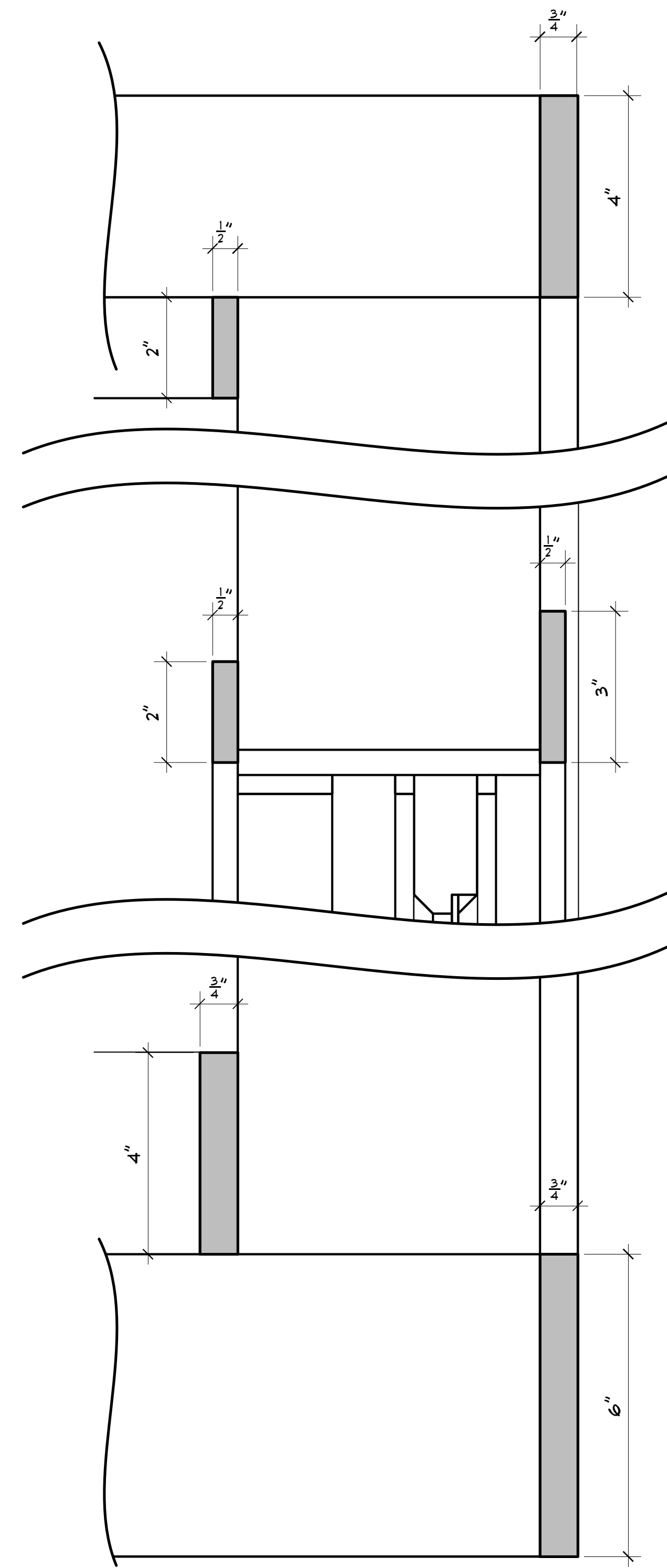


G EXTERIOR ELEVATION
SCALE 1"=1'

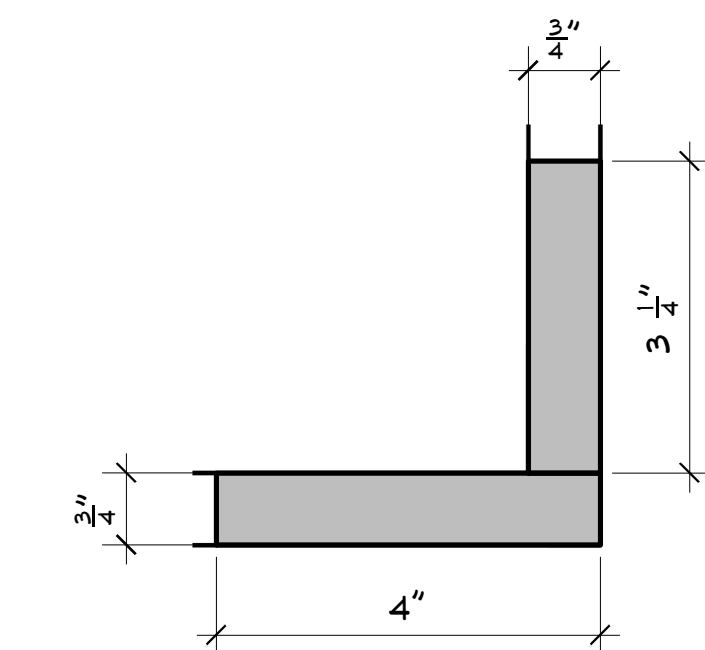


H EXTERIOR ELEVATION
SCALE 1"=1'

DISCUSS HIDING WILD SEAM WITH AD



L TRIM DETAIL, TYP.
SCALE 2"=1'



M TOP TRIM DETAIL, TYP.
SCALE 2"=1'