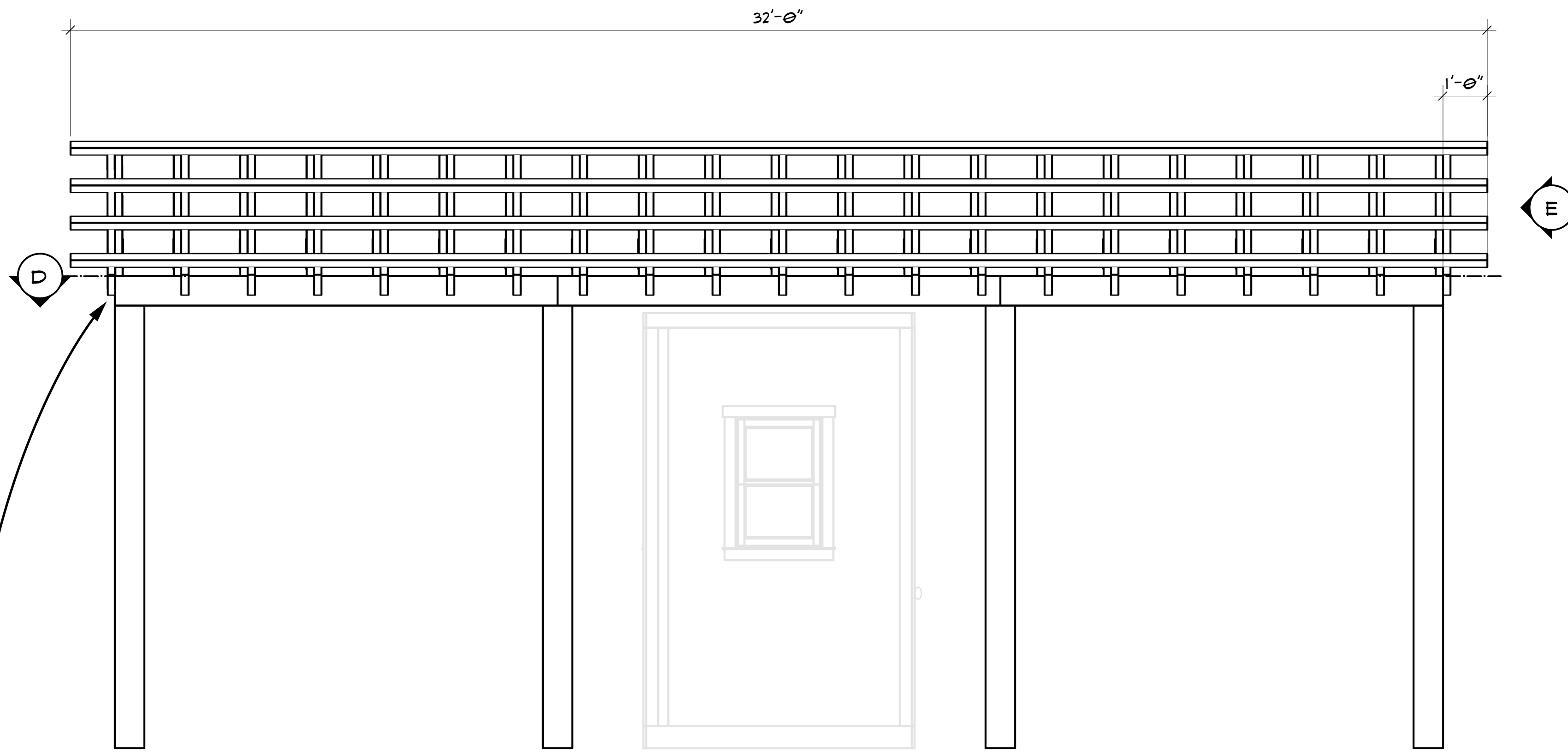
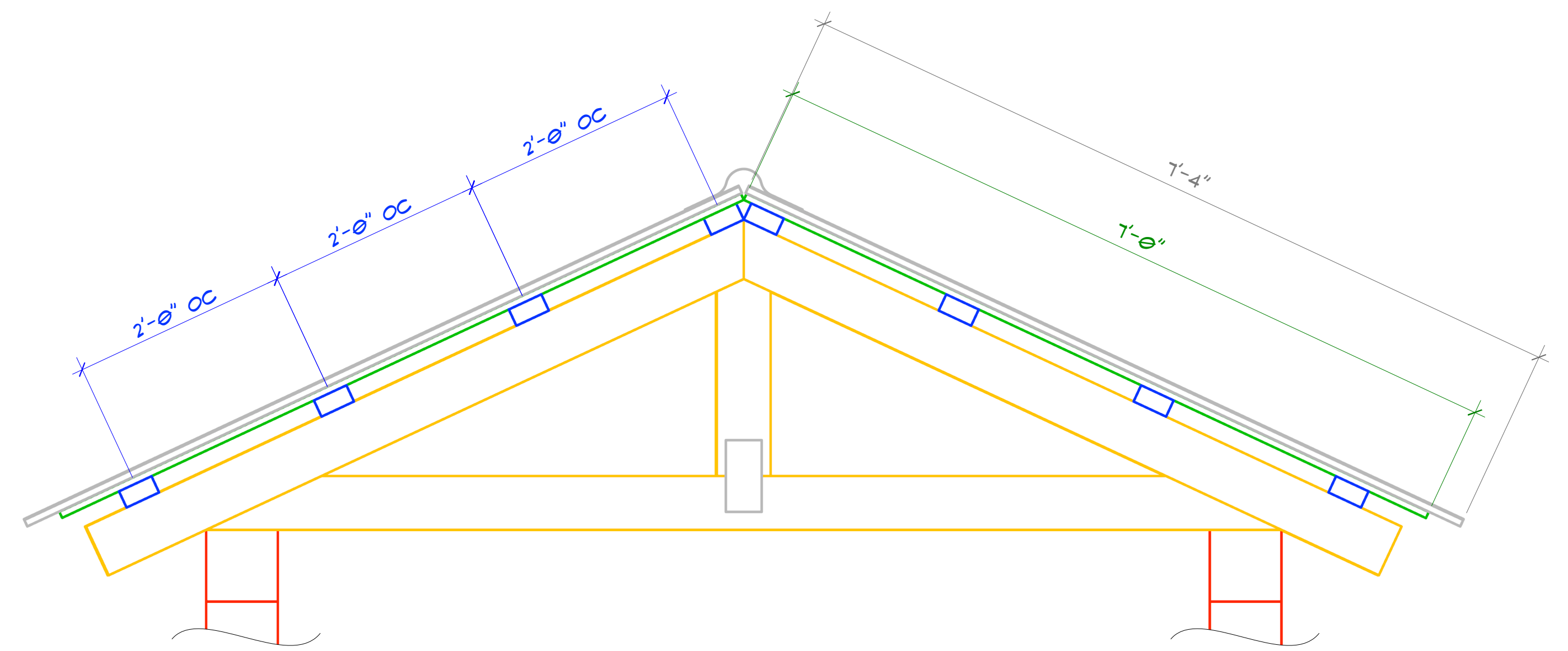


- LEGEND:**
 (TRUE DIMENSIONAL LUMBER)
 8x8 POST & BEAM
 2x6 TRUSS
 2x4 PERLIN
 3/4" PLYWOOD
 TIN ROOF



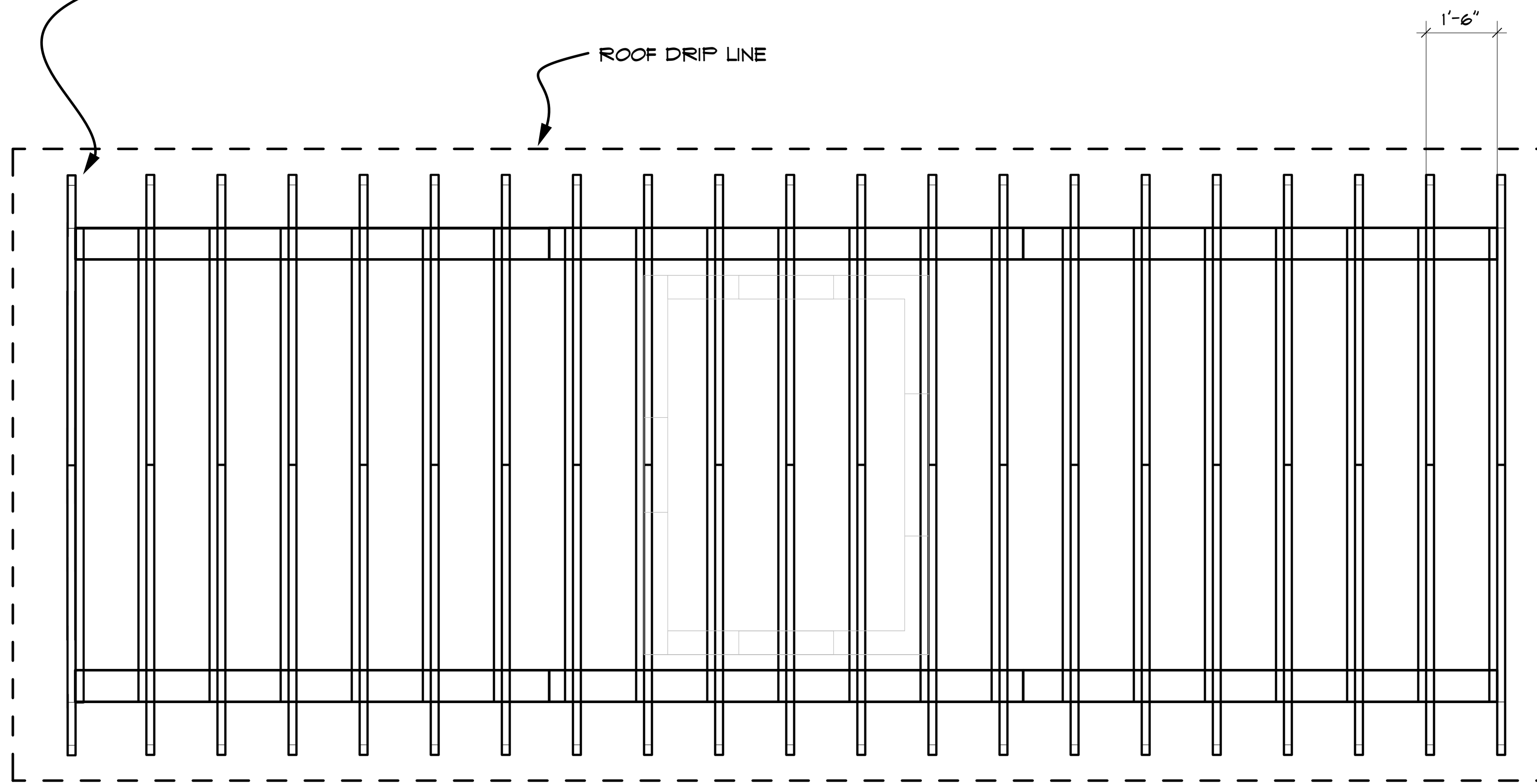
C PAVILION ELEVATION
 SCALE 1/2"=1'



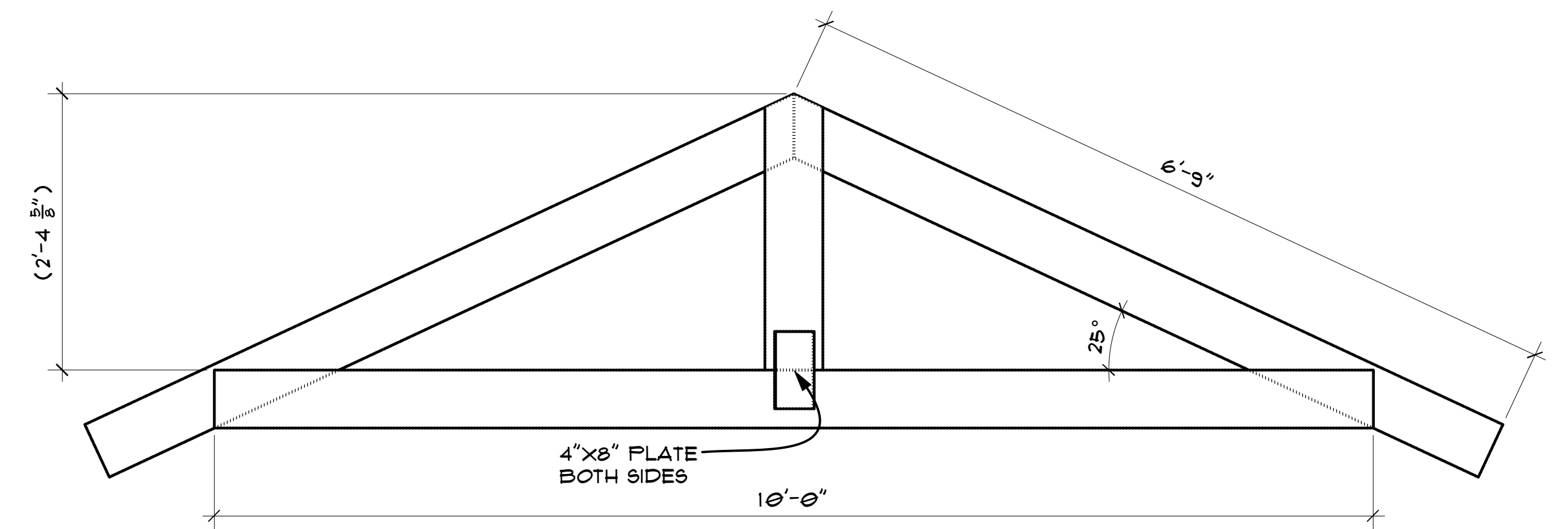
E ROOFING DETAIL
 SCALE 1"=1'

NOTE: LAST TRUSS IS FLIPPED

ROOF DRIP LINE



D BEAM AND TRUSS SECTION
 SCALE 1/2"=1'



F TRUSS DETAIL, BACK VIEW
 SCALE 1"=1'

BLOSSOM MERZ	SET NAME	MARS MINE GUARD SHACK		SHEET 02	
	DRAWING	GUARD SHACK PAVILION DETAILS	REVISION		2
	LOCATION	56D SANTA FE	DATE		8/3/2024